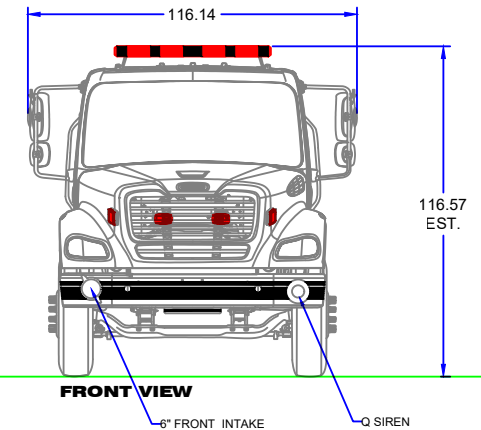
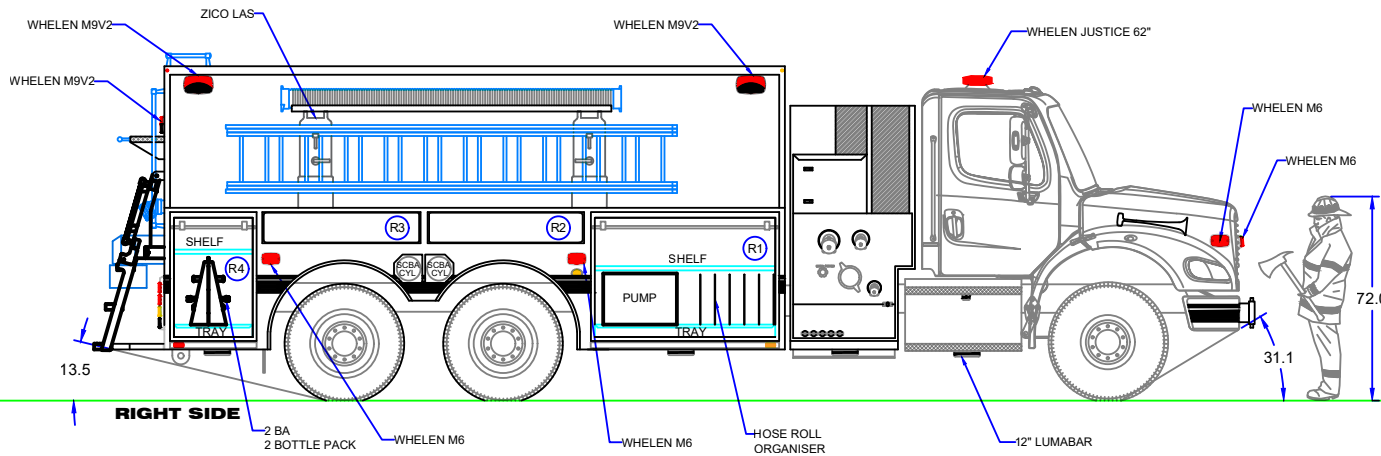
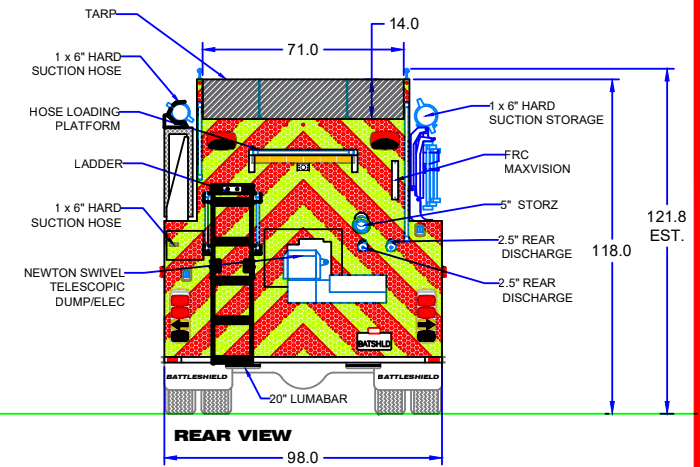
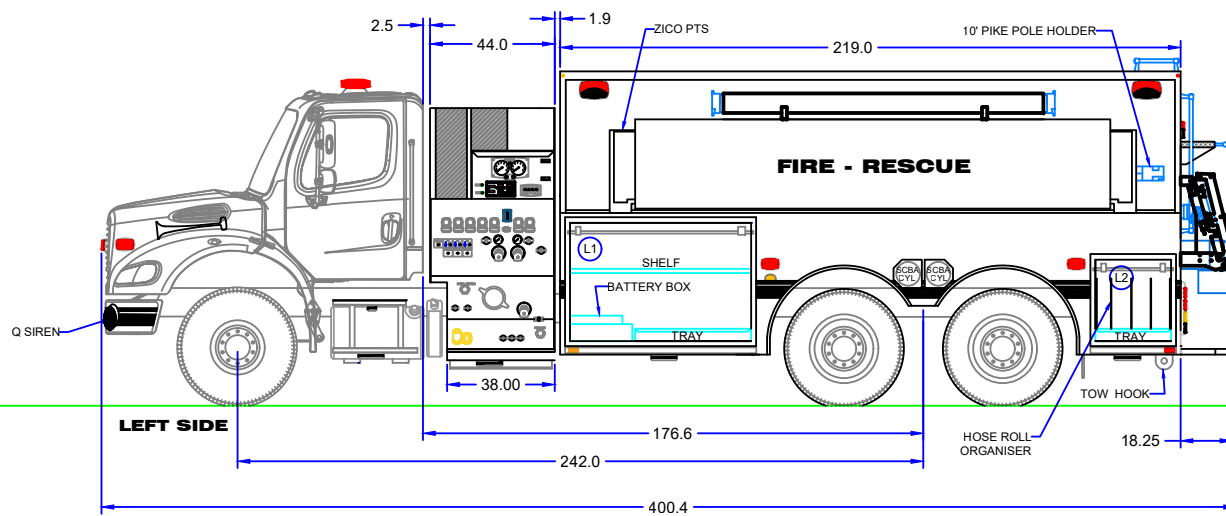


EXTERIOR VIEW - OPEN



| | |
|------------|---|
| CAB | |
| CHASSIS | 2023 FREIGHTLINER M2 112 DC |
| ENGINE | CUMMINS L9 EV 450 HP @ 2100 RPM 1250 LB-FT @ 1200 RPM |
| TRANS | ALLISON 3000 EVS-P AUTO |
| FAWR | 16,000 LBS |
| RAWR | 46,000 LBS |
| GAWR | 62,000 LBS |

| | |
|-------------|--|
| BODY | |
| BODY MAT'L | 3/16" 5052-H32 MARINE GRADE ALUMINUM |
| CHECKER | 1/8" 3003H22 ALUMINUM CHECKER PLATE |
| DOORS | AMDOR ROLL-UP DOOR |
| OPTIONS | ZICO ELECTRIC LADDER RACK ZICO ELECTRIC PORT-A-TANK RACK STORAGE FOR 3 X 6" SUCTION HOSE |

| | |
|-----------------------------------|----------------------------|
| FIRE PUMP & WATER TANK | |
| FIRE PUMP | HALE QMAX XS 5000LPM |
| FOAM SYS | N/A |
| TANK | 2500 IGAL POLY DRY-SIDE |
| NOTE: | ALL TRAYS/SHELVES INCLUDED |

| COMPARTMENT OPENING DIMENSIONS | | | |
|--------------------------------|-------|-----------|--------|
| | WIDTH | DEPTH | HEIGHT |
| L1 | 63.5 | 27.8/13.3 | 36.8 |
| L2 | 27.5 | 27.8/13.3 | 25.0 |
| R1 | 63.5 | 27.8/13.3 | 36.8 |
| R2 | 53.5 | 13.3 | 10.0 |
| R3 | 53.5 | 13.3 | 10.0 |
| R4 | 27.5 | 27.8/13.3 | 36.8 |
| | | | |
| | | | |

F50507 - SUGAR GROVE

ALL DIMENSIONS IN INCHES
UNLESS OTHERWISE SPECIFIED
DO NOT SCALE DRAWING

DISCLAIMER
We reserve the right to modify these dimensions to accommodate actual "as built" chassis dimensions. This was prepared using body builder reference drawings.

| | | | |
|----------|-----------|------|-------------|
| DRAWN | A. THOMAS | DATE | 21 MAR 2023 |
| REVISED | | DATE | |
| APPROVED | A. MISTRY | DATE | 28 SEP 2023 |
| APPROVED | T. HOVEY | DATE | 24 APR 2023 |

