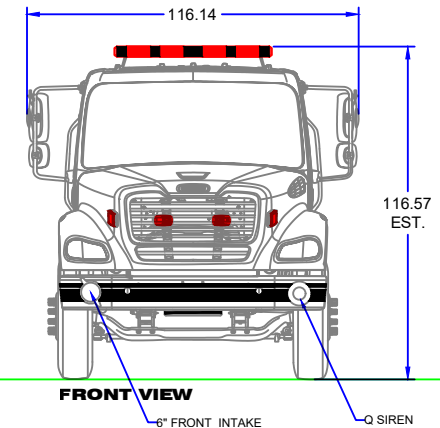
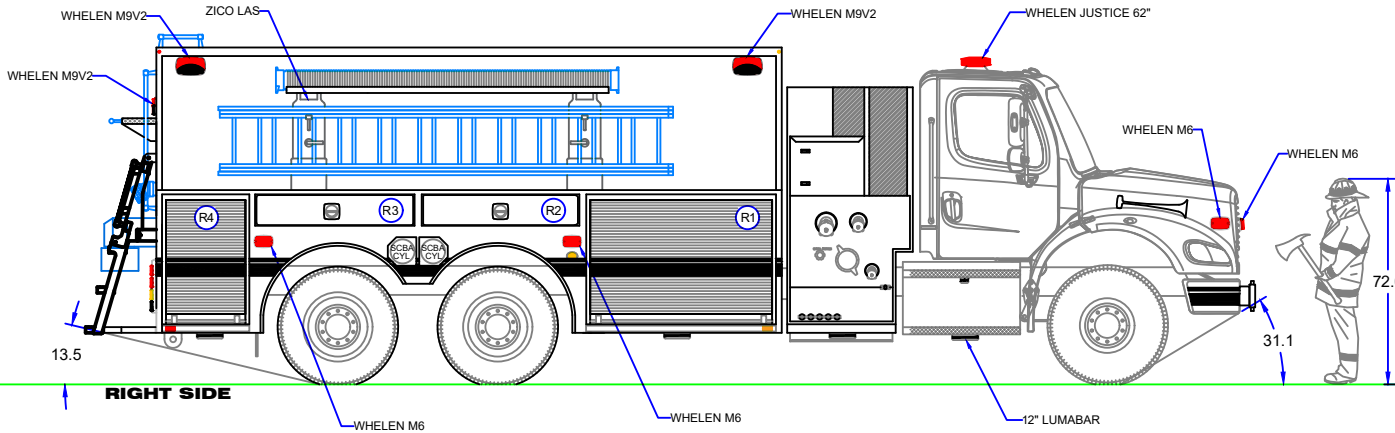
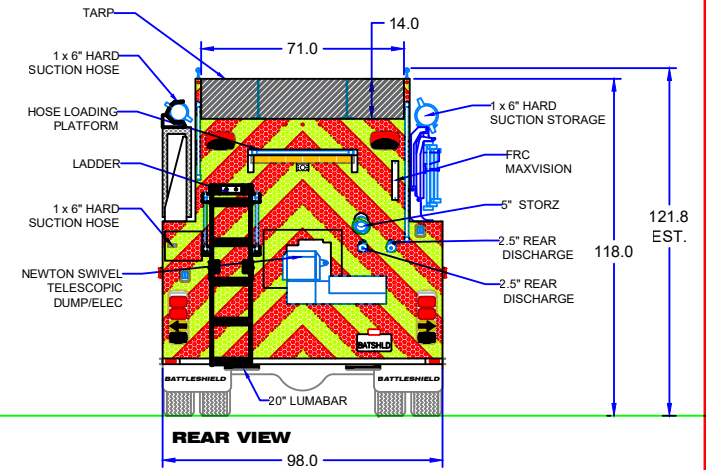
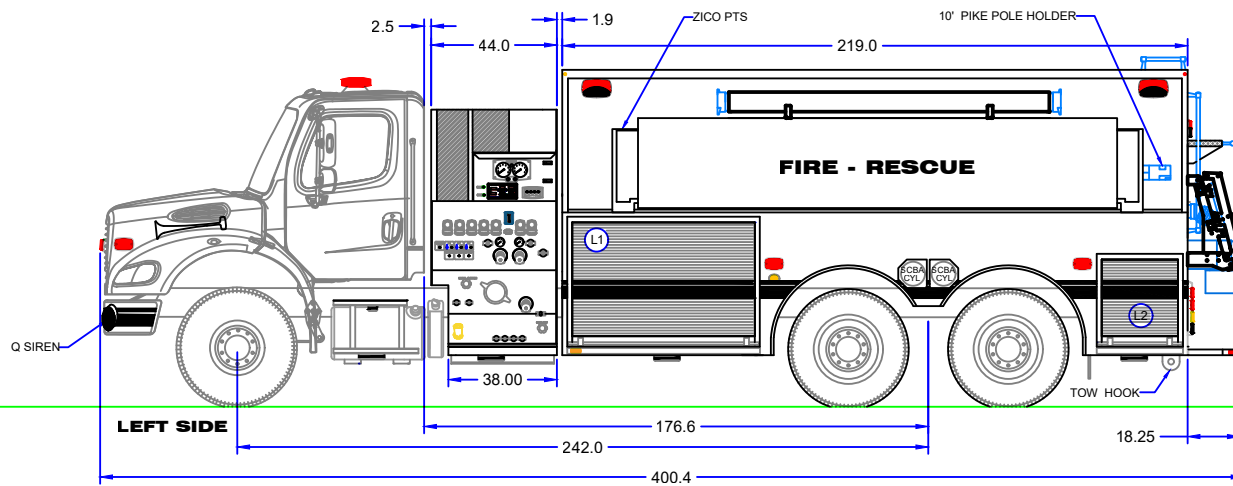


EXTERIOR VIEW - CLOSED



CAB
 CHASSIS 2023 FREIGHTLINER M2 112 DC
 ENGINE CUMMINS L9 EV
 450 HP @ 2100 RPM
 1250 LB-FT @ 1200 RPM

TRANS ALLISON 3000 EVS-P AUTO
 FAWR 16,000 LBS
 RAWR 46,000 LBS
 GAWR 62,000 LBS

BODY
 BODY MAT'L 3/16" 5052-H32 MARINE GRADE ALUMINUM
 CHECKER 1/8" 3003H22 ALUMINUM CHECKER PLATE

DOORS AMDOR ROLL-UP DOOR

OPTIONS ZICO ELECTRIC LADDER RACK
 ZICO ELECTRIC PORT-A-TANK RACK
 STORAGE FOR 3 X 6" SUCTION HOSE

FIRE PUMP & WATER TANK
 FIRE PUMP HALE QMAX XS 5000LPM

FOAM SYS N/A

TANK 2500 IGAL POLY DRY-SIDE

NOTE: ALL TRAYS/SHELVES INCLUDED

COMPARTMENT OPENING DIMENSIONS			
	WIDTH	DEPTH	HEIGHT
L1	63.5	27.8/13.3	36.8
L2	27.5	27.8/13.3	25.0
R1	63.5	27.8/13.3	36.8
R2	53.5	13.3	10.0
R3	53.5	13.3	10.0
R4	27.5	27.8/13.3	36.8

F50507 - SUGAR GROVE

ALL DIMENSIONS IN INCHES
 UNLESS OTHERWISE SPECIFIED
 DO NOT SCALE DRAWING

DISCLAIMER
 We reserve the right to modify these dimensions
 to accommodate actual "as built" chassis dimensions.
 This was prepared using body builder reference
 drawings.

DRAWN	A. THOMAS	DATE	21 MAR 2023
REVISED	A. MISTRY	DATE	28 SEP 2023
APPROVED	T. HOVEY	DATE	24 APR 2023

