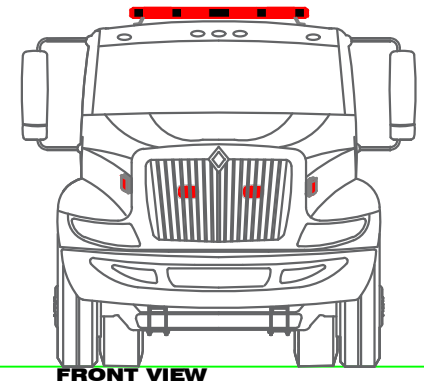
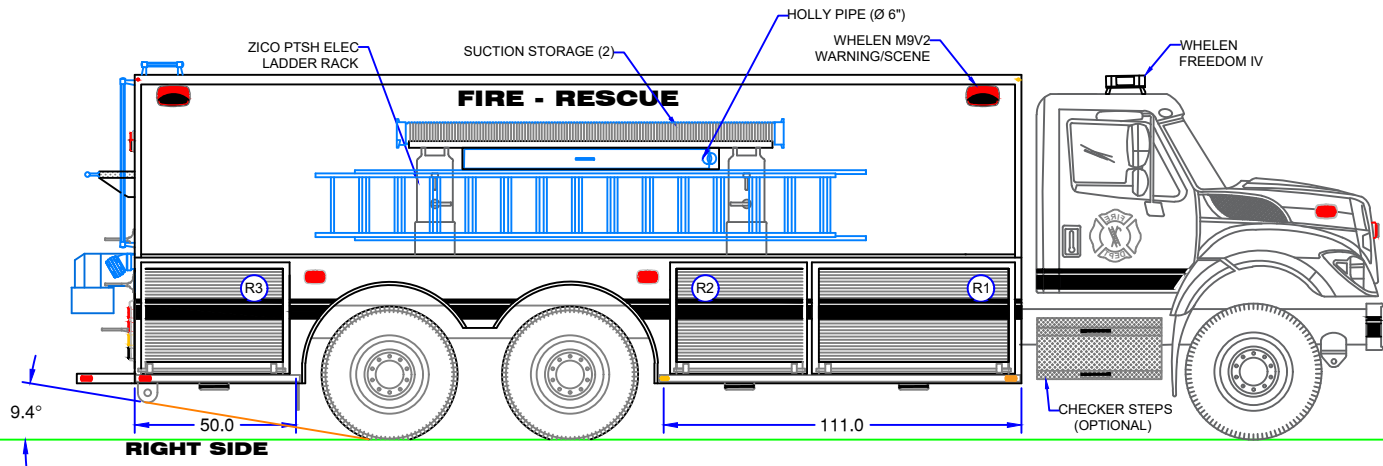
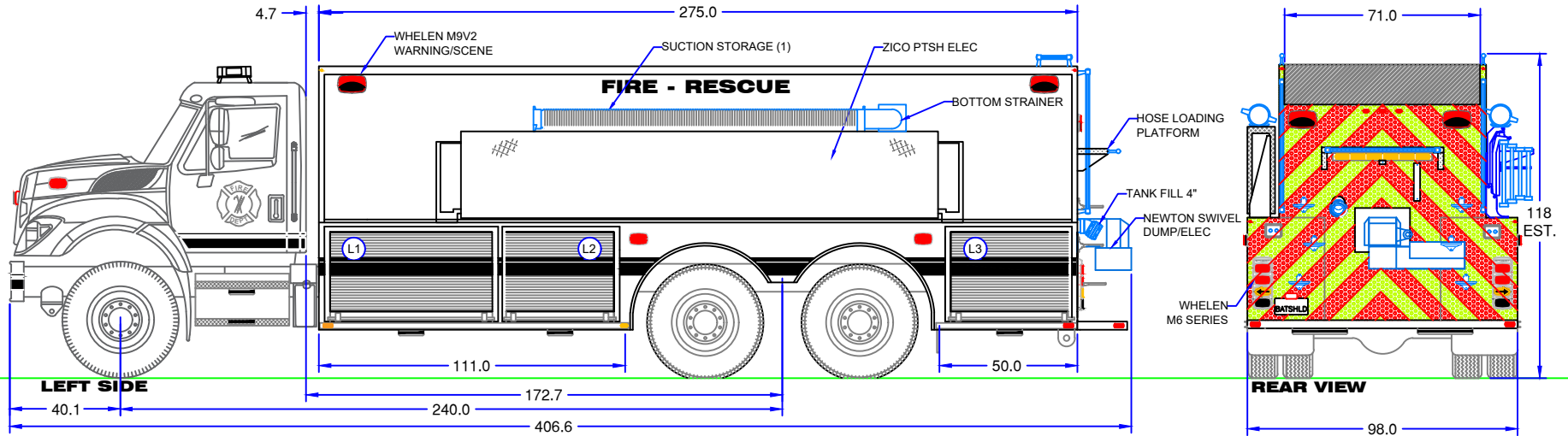


CLOSED VIEW



CAB
 CHASSIS 2022 INTERNATIONAL HV 607
 ENGINE CUMMINS L9 400
 400 HP @ 2200 RPM
 1250 FT/LBS @ 1200 RPM
 TRANS ALLISON 3000 EVS-P AUTO
 FAWR 18,000 LBS
 RAWR 46,000 LBS
 GAWR 64,000 LBS

BODY
 BODY MAT'L 3/16" 5052-H32 MARINE GRADE ALUMINUM
 CHECKER 1/8" 3003H22 ALUMINUM CHECKER PLATE
 DOORS AMDOR ROLL-UP DOORS
 OPTIONS ZICO ELECTRIC PORTA TANK RACK
 STORAGE FOR 2 X SUCTION HOSE
 ZICO ELECTRIC LADDER RACK

FIRE PUMP & WATER TANK
 FOAM SYS OPTIONAL
 TANK 3000 IGAL POLY DRY-SIDE
 NOTE: ALL TRAYS/SHELVES INCLUDED

	COMPARTMENT Dims REF. (I.D.)		
	WIDTH	DEPTH	HEIGHT
L1	59.5	27.0	26.0
L2	39.0	27.0	26.0
L3	42.5	27.0	26.0
R1	59.5	27.0	26.0
R2	39.0	27.0	26.0
R3	42.5	27.0	26.0

SOUTH GLENGARRY TANKER

ALL DIMENSIONS IN INCHES
 UNLESS OTHERWISE SPECIFIED
 DO NOT SCALE DRAWING
DISCLAIMER
 We reserve the right to modify these dimensions
 to accommodate actual "as built" chassis dimensions.
 This was prepared using body builder reference
 drawings.
 DRAWN M. SUHAG
 REVISOR D. HE
 APPROVED L. THIBAUT
 DATE 19 JULY 2021
 DATE 22 NOV 2021



DO NOT SCALE DRAWING