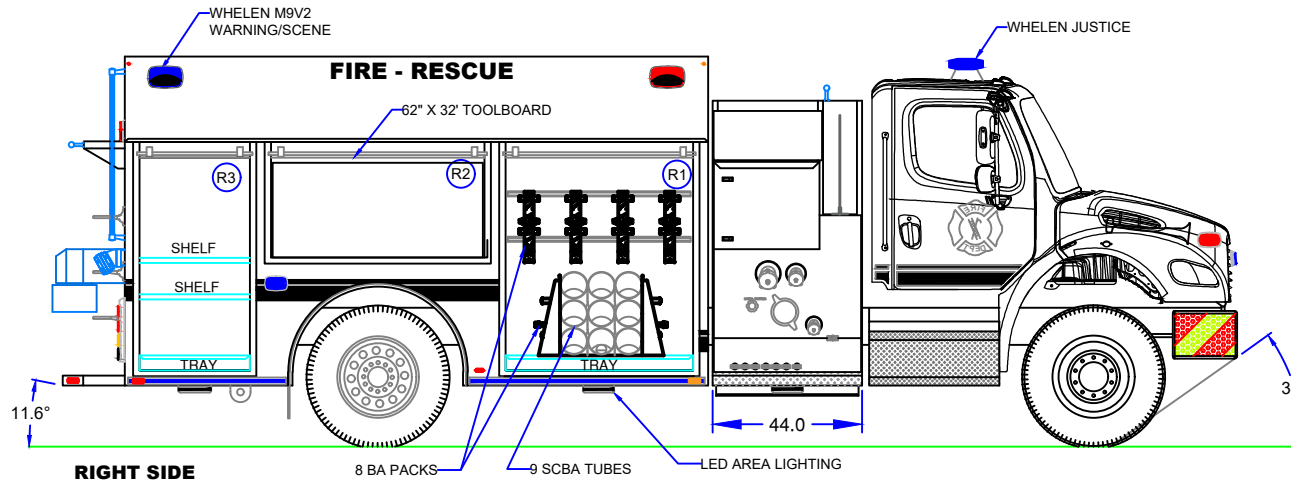
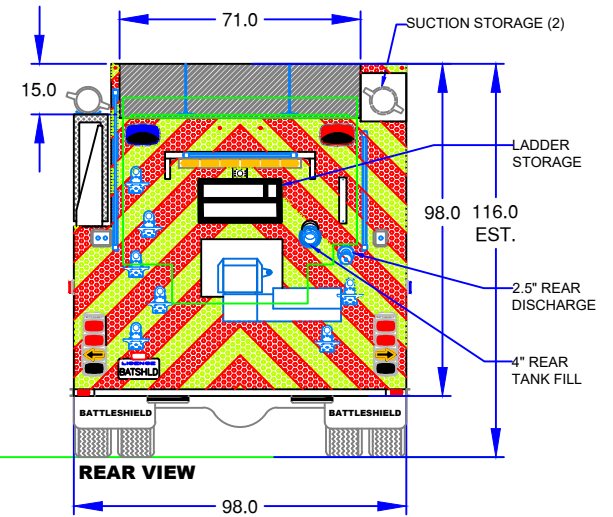
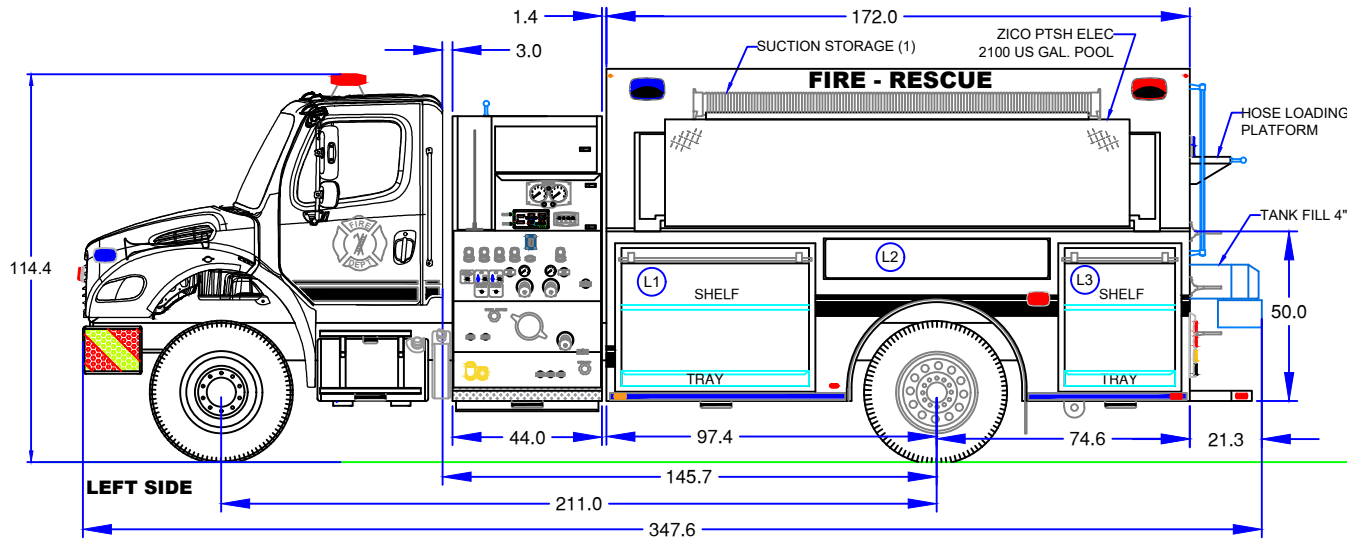


PROPOSAL - EXTERIOR OPEN



SOME OPTIONAL EQUIPMENT SHOWN

CAB
 CHASSIS FREIGHTLINER M2 106
 ENGINE CUMMINS ISL 9
 350HP @ 2000 RPM
 1000 LB-FT @ 1400 RPM
 TRANS ALLISON 3000 EVS-P AUTO
 GVWR 49,000 LBS
 FAWR 18,000 LBS
 RAWR 31,000 LBS

BODY
 BODY MAT'L 3/16" 5052-H32 MARINE GRADE ALUMINUM
 CHECKER 1/8" 3003H22 ALUMINUM CHECKER PLATE
 DOORS AMDOR ROLL-UP w/ LUMABAR LED LIGHTING
 ONE (1) DROP DOWN PAN DOORS FOR L2
OPTIONS LADDER SET
 2100 GAL. PORTA-TANK
 HARD SUCTION HOSES

FIRE PUMP & WATER TANK
 FIRE PUMP HALE QMAX-Xs 5000LPM
FOAM SYS OPTIONAL
TANK POLY DRY-SIDE
 1500 IGAL WATER
 25 IGAL FOAM

	COMPARTMENT OPENING DIMENSIONS		
	WIDTH	DEPTH	HEIGHT
L1	57.00	26.125	36.50
L2	64.25	26.125	9.1875
L3	34.25	26.125	36.50
R1	57.00	26.125/13.0	62.8125
R2	64.75	13.0	30.125
R3	34.25	26.125/13.0	62.8125

PIKWAKANAGAN

ALL DIMENSIONS IN INCHES
 UNLESS OTHERWISE SPECIFIED
 DO NOT SCALE DRAWING

DISCLAIMER
 We reserve the right to modify these dimensions
 to accommodate actual "as built" chassis dimensions.
 This was prepared using body builder reference
 drawings.

DRAWN	D.H. HE	DATE	17 NOV 2020
REVISION	A. THOMAS	DATE	11 OCT 2022
APPROVED	T. HOVEY	DATE	11 OCT 2022

BATTLESIELD