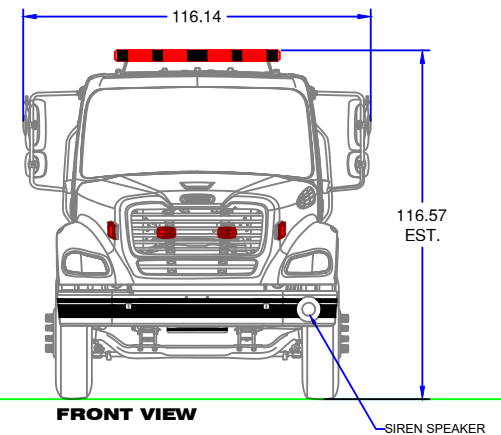
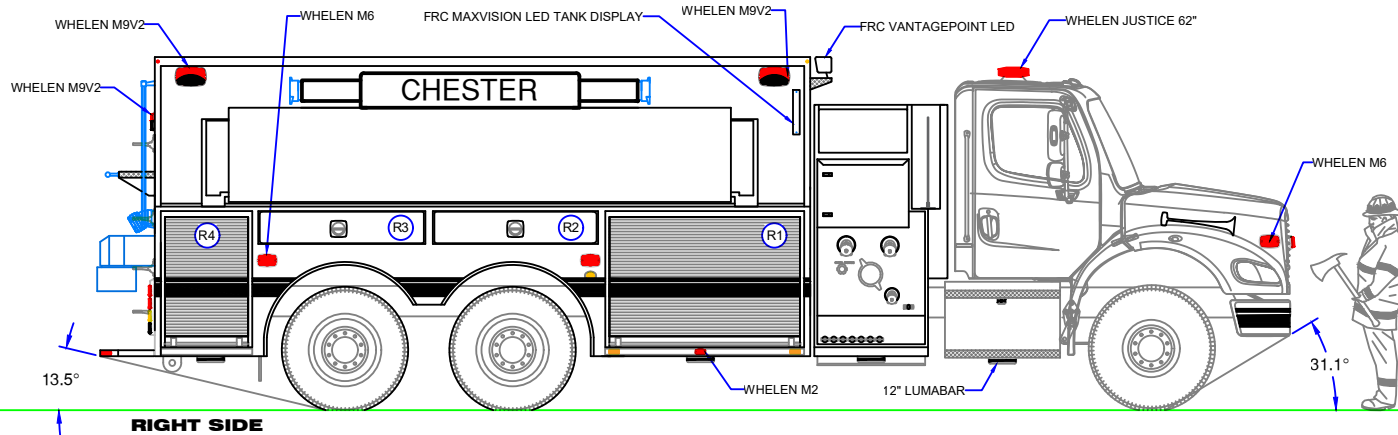
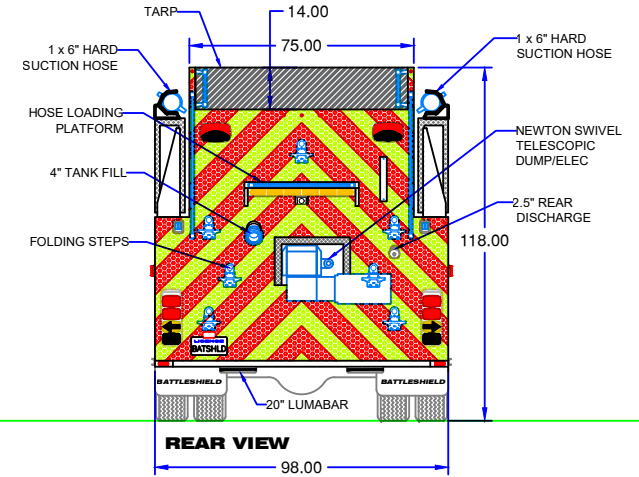
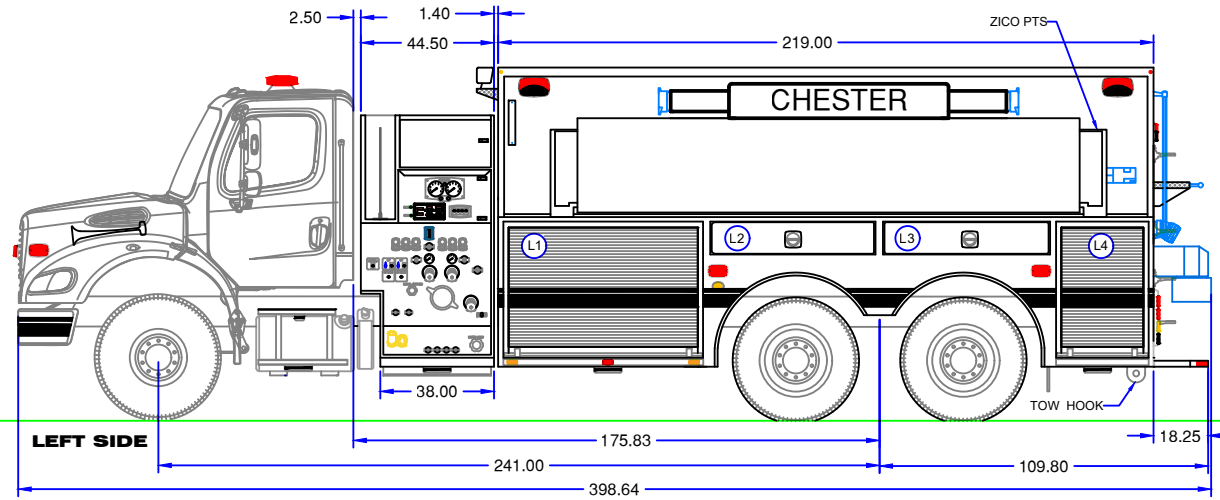


EXTERIOR VIEW - CLOSED



CAB
 CHASSIS 2022 FREIGHTLINER M2 112
 ENGINE CUMMINS L9 EV
 450 HP @ 2100 RPM
 1250 FT/LBS @ 1400 RPM
 TRANS ALLISON 4000 EVS-P AUTO
 FAWR 16,000 LBS
 RAWR 46,000 LBS
 GAWR 62,000 LBS

BODY
 BODY MAT'L 3/16" 5052-H32 MARINE GRADE ALUMINUM
 CHECKER 1/8" 3003H22 ALUMINUM CHECKER PLATE
 DOORS AMDOR ROLL-UP DOOR
 OPTIONS ZICO ELECTRIC PORT-A-TANK RACK (2)

FIRE PUMP & WATER TANK
 FIRE PUMP HALE QMAX XS 5000LPM
 FOAM SYS N/A
 TANK 2500 IGAL POLY DRY-SIDE
 NOTE: ALL TRAYS/SHELVES INCLUDED

COMPARTMENT OPENING DIMENSIONS			
	WIDTH	DEPTH	HEIGHT
L1	63.5	28.0/13.0	38.5
L2	54.0	13	10.0
L3	54.0	13	10.0
L4	27.5	28.0/13.0	38.5
R1	63.5	28.0/13.0	38.5
R2	54.0	13	10.0
R3	54.0	13	10.0
R4	27.5	28.0/13.0	38.5

CHESTER FIRE DEPARTMENT

ALL DIMENSIONS IN INCHES
 UNLESS OTHERWISE SPECIFIED
 DO NOT SCALE DRAWING
DISCLAIMER
 We reserve the right to modify these dimensions
 to accommodate actual "as built" chassis dimensions.
 This was prepared using body builder reference
 drawings.
 DRAWN A. THOMAS DATE 03 AUG 2022
 REVISED A. THOMAS DATE 21 NOV 2022
 APPROVED T. HOVEY DATE 21 NOV 2022

