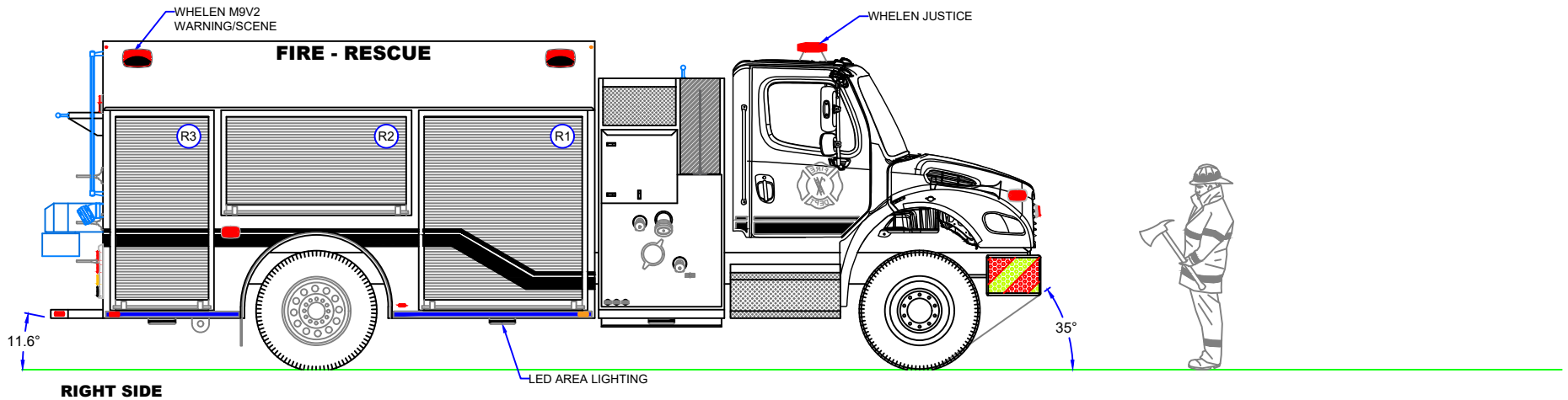
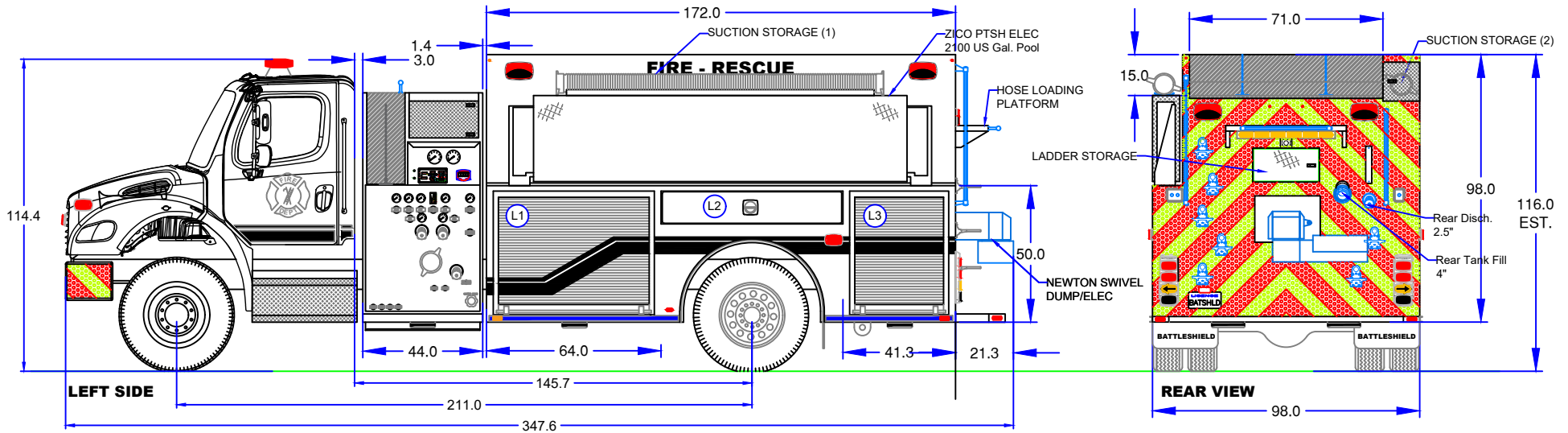


PROPOSAL P/T CLOSED



SOME OPTIONAL EQUIPMENT SHOWN

STOCK UNIT P/T

CAB

CHASSIS FREIGHTLINER M2 106

ENGINE CUMMINS ISL 9
350HP @ 2000 RPM
1000 LB-FT @ 1400 RPM

TRANS ALLISON 3000 EVS-P AUTO

GVWR 49,000 LBS

FAWR 18,000 LBS

RAWR 31,000 LBS

BODY

BODY MAT'L 3/16" 5052-H32 MARINE GRADE ALUMINUM

CHECKER 1/8" 3003H22 ALUMINUM CHECKER PLATE

DOORS AMDOR ROLL-UP w/ LUMABAR LED LIGHTING
ONE (1) DROP DOWN PAN DOORS FOR L2

OPTIONS LADDER SET
2100 GAL. PORTA-TANK
HARD SUCTION HOSES

FIRE PUMP & WATER TANK

FIRE PUMP HALE QMAX-Xs 5000LPM

FOAM SYS OPTIONAL
TANK POLY DRY-SIDE
1500 IGAL WATER
25 IGAL FOAM

COMPARTMENT Dimensions			
	WIDTH	DEPTH	HEIGHT
L1	57.25	27.8	37.875
L2	64.25	27.8	9.1875
L3	34.5	27.8	37.875
R1	57.25	27.8/13.0	65.5625
R2	64.25	13.0	32.875
R3	34.5	27.8/13.0	56.5625

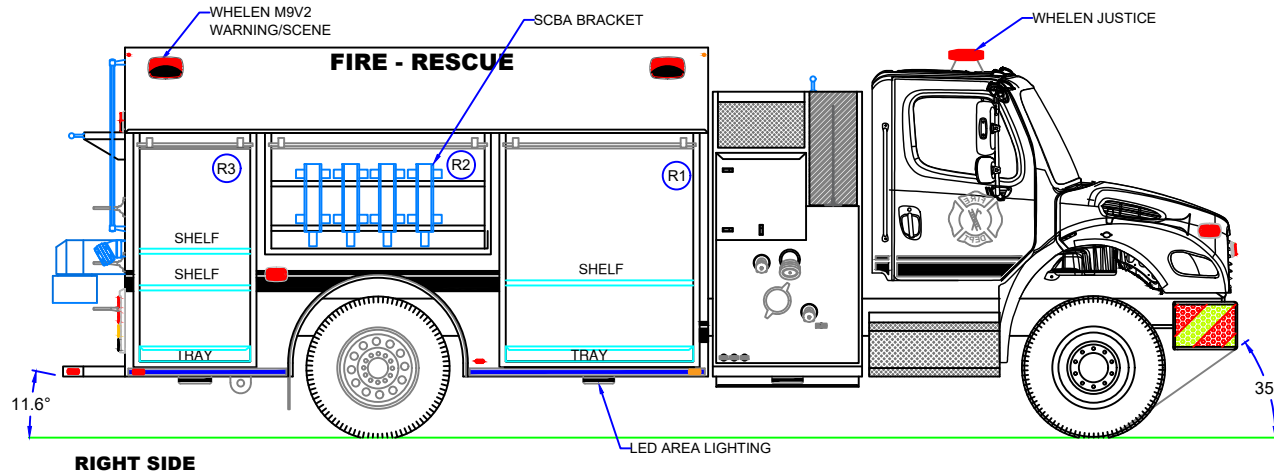
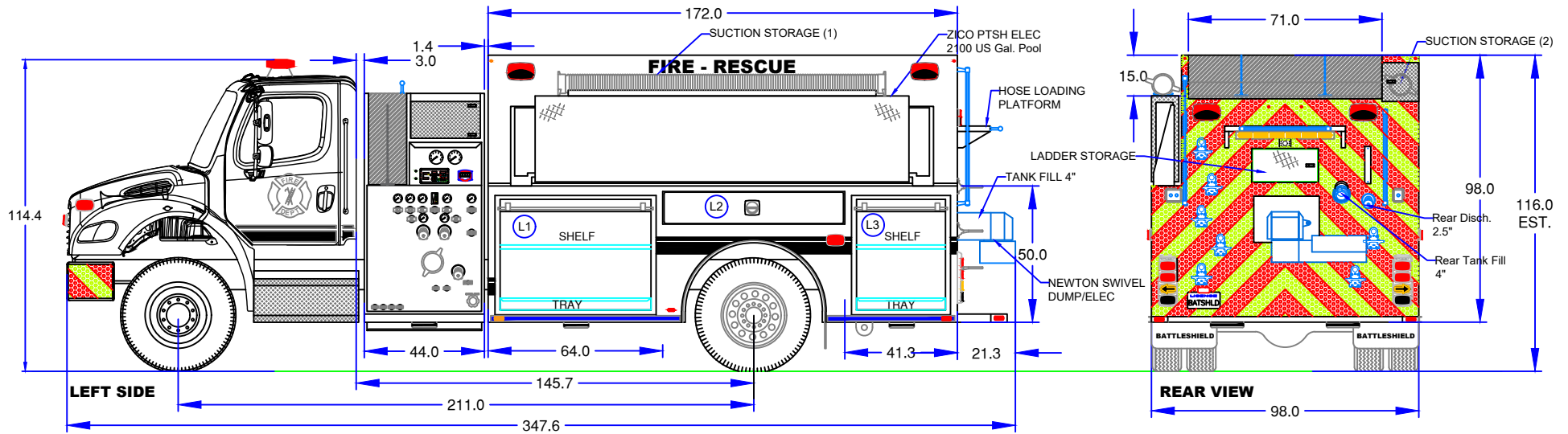
ALL DIMENSIONS IN INCHES
UNLESS OTHERWISE SPECIFIED
DO NOT SCALE DRAWING

DISCLAIMER
We reserve the right to modify these dimensions
to accommodate actual "as built" chassis dimensions.
This was prepared using body builder reference
drawings.

DRAWN D. HE	DATE 17 NOV 2020
REVISION A THANKACHAN	LAST UPDATE 25 OCT 2021
APPROVED	



PROPOSAL P/T CLOSED



SOME OPTIONAL EQUIPMENT SHOWN

STOCK UNIT P/T

CAB

CHASSIS FREIGHTLINER M2 106
 ENGINE CUMMINS ISL 9
 350HP @ 2000 RPM
 1000 LB-FT @ 1400 RPM
 TRANS ALLISON 3000 EVS-P AUTO

GVWR 49,000 LBS
 FAWR 18,000 LBS
 RAWR 31,000 LBS

BODY

BODY MAT'L 3/16" 5052-H32 MARINE GRADE ALUMINUM
 CHECKER 1/8" 3003H22 ALUMINUM CHECKER PLATE
 DOORS AMDOR ROLL-UP w/ LUMABAR LED LIGHTING
 ONE (1) DROP DOWN PAN DOORS FOR L2

OPTIONS LADDER SET
 2100 GAL. PORTA-TANK
 HARD SUCTION HOSES

FIRE PUMP & WATER TANK

FIRE PUMP HALE QMAX-Xs 5000LPM

FOAM SYS OPTIONAL
TANK POLY DRY-SIDE
 1500 IGAL WATER
 25 IGAL FOAM

COMPARTMENT Dimensions			
	WIDTH	DEPTH	HEIGHT
L1	57.25	27.8	37.875
L2	64.25	27.8	9.1875
L3	34.5	27.8	37.875
R1	57.25	27.8/13.0	65.5625
R2	64.25	13.0	32.875
R3	34.5	27.8/13.0	56.5625

ALL DIMENSIONS IN INCHES
 UNLESS OTHERWISE SPECIFIED
 DO NOT SCALE DRAWING

DISCLAIMER
 We reserve the right to modify these dimensions
 to accommodate actual "as built" chassis dimensions.
 This was prepared using body builder reference
 drawings.

DRAWN	DATE
D. HE	17 NOV 2020
REVISION	LAST UPDATE
A THANKACHAN	25 OCT 2021
APPROVED	

