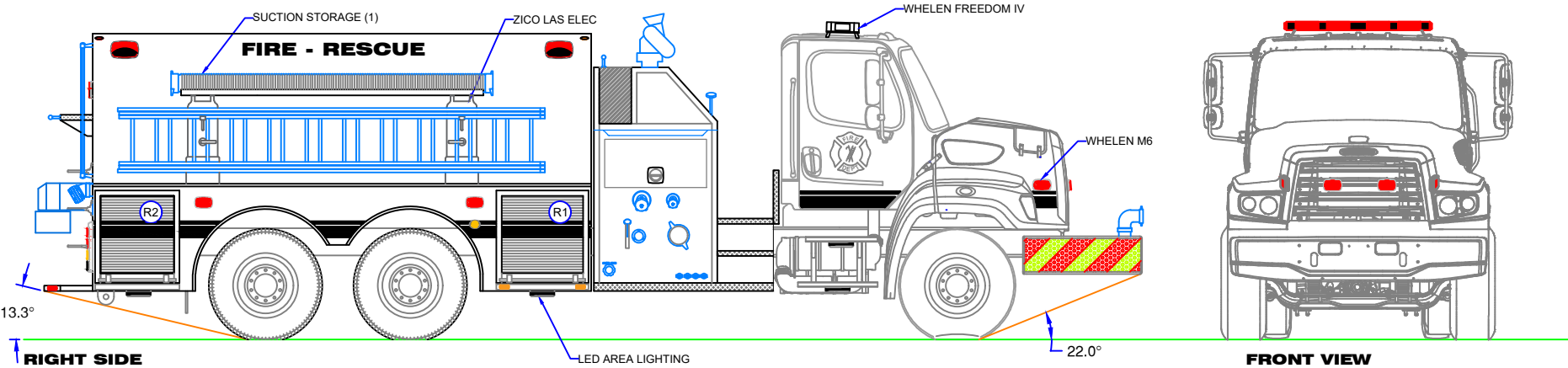
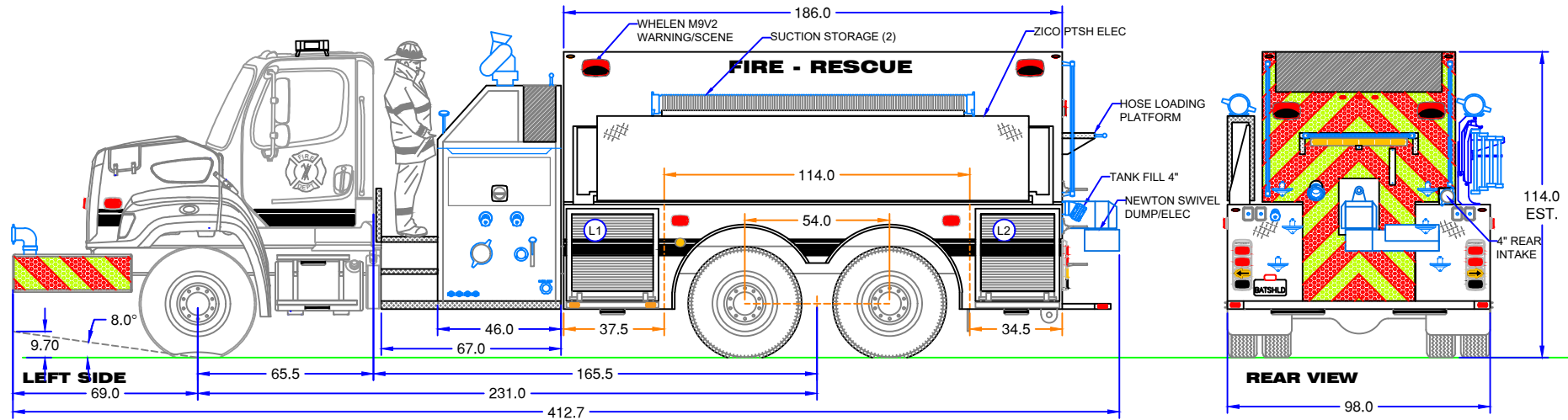


# PROPOSAL



## P/T (TOP MOUNT) 231 F

**CAB**  
 CHASSIS 2018 FREIGHTLINER 108 SD  
 ENGINE CUMMINS L9  
 400 HP @ 2100 RPM  
 1250 FT/LBS @ 1400 RPM

TRANS ALLISON 3000 EVS AUTO  
 FAWR 16,000 LBS  
 RAWR 44,000 LBS  
 GAWR 60,000 LBS

**BODY**  
 BODY MAT'L 3/16" 5052-H32 MARINE GRADE ALUMINUM  
 CHECKER 1/8" 3003H22 ALUMINUM CHECKER PLATE

DOORS AMDOR ROLL-UP DOOR

OPTIONS ZICO ELECTRIC LADDER RACK  
 ZICO ELECTRIC PORT-A-TANK RACK  
 STORAGE FOR 2 X SUCTION HOSE  
 2 1/2" REAR DISCHARGE RIGHT SIDE

**FIRE PUMP & WATER TANK**  
 FIRE PUMP HALE DSD MIDSHIP 5000 LPM

FOAM SYS FOAMPRO 2001

TANK POLY WET-SIDE  
 2161 IGAL WATER/51 IGAL FOAM

NOTE: ALL TRAYS/SHELVES INCLUDED

COMPARTMENT Dimensions			
	WIDTH	DEPTH	HEIGHT
L1	37.0	28.0	36.0
L2	34.0	28.0	36.0
R1	37.0	28.0	36.0
R2	34.0	28.0	36.0

ALL DIMENSIONS IN INCHES  
 UNLESS OTHERWISE SPECIFIED  
 DO NOT SCALE DRAWING

**DISCLAIMER**  
 We reserve the right to modify these dimensions  
 to accommodate actual "as built" chassis dimensions.  
 This was prepared using body builder reference  
 drawings.

DRAWN D. HE  
 REVISION C  
 APPROVED L. THIBAUT

DATE 22 JAN 2018  
 28 NOV 2018

