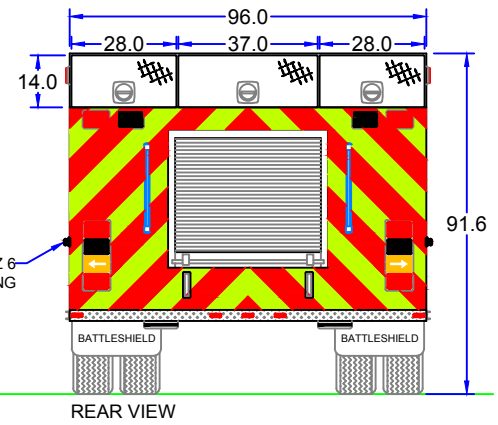
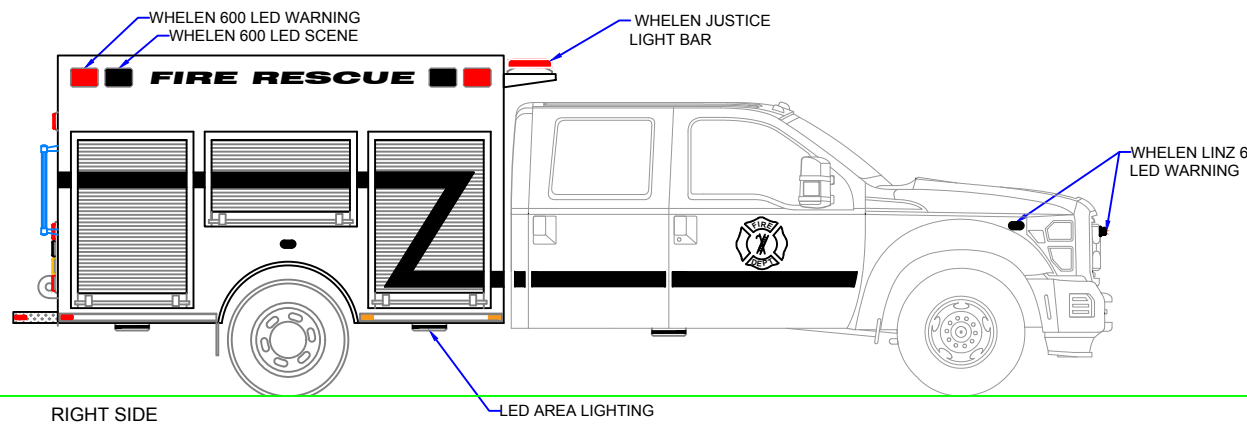


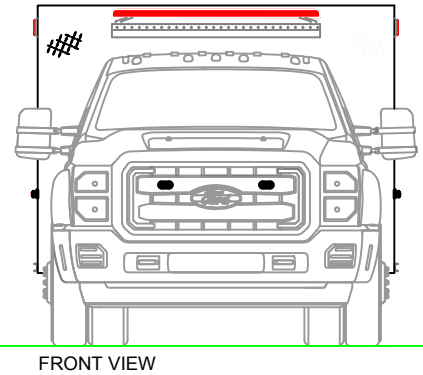
LEFT SIDE



REAR VIEW



RIGHT SIDE



FRONT VIEW

NORTH DUNDAS FIRE SERVICES

CAB	
CHASSIS	2016 FORD F550 4X4
ENGINE	6.7 L POWER STROKE 300 HP @ 2800 RPM 660 FT/LBS 1600 RPM
TRANSMISSION	6 SPEED AUTOMATIC
GVWR	19,500 LBS MAX
FGAWR	5,600 LBS
RGAWR	14,700 LBS

BODY	
BODY MAT'L	POLY 1/8" 3003 H22 ALM. CHECKER PLATE NFPA
	WHELEN LED LIGHT PACKAGE WHELEN LED SCENE LIGHTS CLASS III HITCH REAR GRILLE GAURD W/ HITCH RECEIVER FRONT

COMPARTMENT DIMENSIONS			
	WIDTH	HEIGHT	DEPTH
L1	38.0	53.0	23/FULL
L2	40.0	30.0	30.0
L3	38.0	52.0	30.0
R1	38.0	52.0	23/FULL
R2	40.0	30.0	30.0
R3	38.0	52.0	30.0

COMPARTMENT DIMENSIONS			
	WIDTH	HEIGHT	DEPTH
B1	42.0	43.0	80.0
B2	28.0	14.0	119.0
B3	37.0	14.0	119.0
B4	28.0	14.0	119.0

ALL DIMENSIONS IN INCHES
DO NOT SCALE DRAWING

DISCLAIMER
We reserve the right to modify these dimensions to accommodate actual "as built" chassis dimensions. This was prepared using body builder reference drawings.

INSPECTED	DATE
L. THIBAUT	14 JULY 2016
DRAWN	
M. LOVELY	14 JULY 2016
DESIGN	
M. LOVELY	20 JUNE 2016

