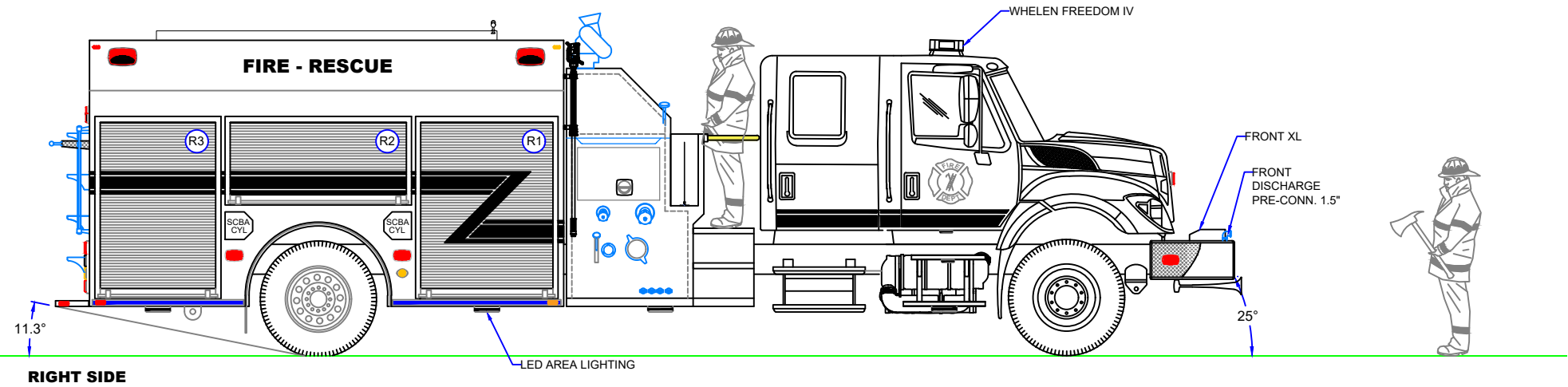
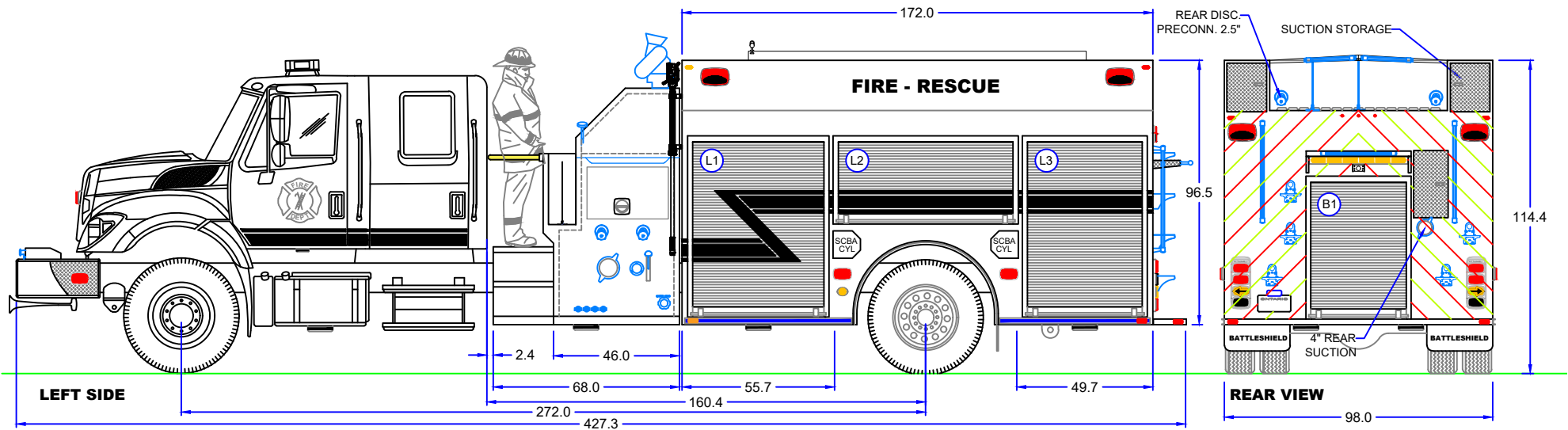


PUMPER RESCUE



SOME OPTIONAL EQUIPMENT SHOWN

CAB

CHASSIS INTERNATIONAL 4400 SBA 4X2
 ENGINE CUMMINS ISL 9
 350HP @ 2000 RPM
 1000 LB-FT @ 1400 RPM
 TRANS ALLISON 3000 EVS-P AUTO
 GVWR 40,600 LBS
 FAWR 14,600 LBS
 RAWR 26,000 LBS

BODY

BODY MAT'L 3/16" 5052-H32 MARINE GRADE ALUMINUM
 CHECKER 1/8" 3003H22 ALUMINUM CHECKER PLATE
 DOORS AMDOR ROLL-UP w/ LUMABAR LED LIGHTING
 OPTIONS

FIRE PUMP & WATER TANK

FIRE PUMP HALE QMAX 5000 LPM
 TOP MOUNT OPERATOR PANEL
 FOAM SYS FOAMPRO 2001
 TANK 1000 IGAL POLY DRY-SIDE
 25 IGAL FOAM

COMPARTMENT Dimensions

	WIDTH	DEPTH	HEIGHT
L1	55.3	27.8	74.0
L2	66.6	27.8	40.0
L3	47.0	27.8	74.0
R1	55.3	27.8	74.0
R2	66.6	15.6	40.0
R3	47.0	27.8	74.0
B1	42.0	30.8	74.0

PUMPER RESCUE - CREW CAB

ALL DIMENSIONS IN INCHES
 UNLESS OTHERWISE SPECIFIED
 DO NOT SCALE DRAWING

DISCLAIMER

We reserve the right to modify these dimensions
 to accommodate actual "as built" chassis dimensions.
 This was prepared using body builder reference
 drawings.

DRAWN D. HE	DATE 30 JAN 2018
REVISION	LAST UPDATE
As Built	21 FEB 2019
APPROVED L. THIBAUT	

